



DEEP CYCLE AGM TECHNOLOGY

LDC12-285-8D BCI GROUP 8D

FEATURES & BENEFITS

- True deep cycle AGM technology-GREEN SOLUTION
- Over 99.99% virgin lead for grid plate and active material
- Heavy duty grid/paste design for deep cycle application
- Maintenance free, non-spillable, valve-regulated
- Double separator configuration: long cycle life & High energy density and super anti-vibration design
- Low self-discharge for longer shelf life



ELECTRICAL SPECIFICATIONS

Voltage(V)	Capacity (AH)					Reserve Capacity (Min)		
	100HR	20HR	10HR	5HR	3HR	@25A	@56A	@75A
12	310	285	262	225	215	640	235	175

PHYSICAL SPECIFICATIONS

Model	Dimensions (mm/inches)				Weight (kg/lbs)	Terminal Type (Standard)	Case Material
	Length	Width	Height	Total Height			
LDC12-285-8D	527 (20.75)	280 (11.02)	230 (9.06)	252 (9.92)	78.5 (173.1)	DT-3/8	PP

Operating Temperature Range		
Discharge	Charge	Storage
-15°C ~ 50°C (5°F ~ 122°F)	0°C ~ 40°C (32°F ~ 104°F)	-15°C ~ 40°C (5°F ~ 104°F)



TS16949

ISO14001

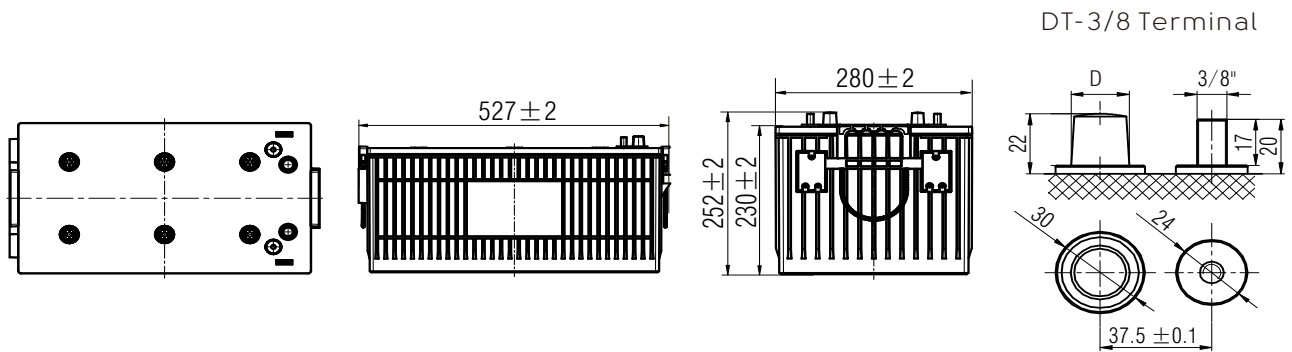
ISO9001

OHSAS18001

DEEP CYCLE AGM BATTERY

LDC12-285-8D

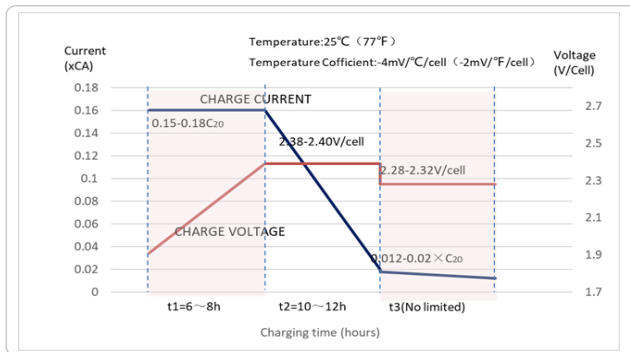
DIMENSIONS



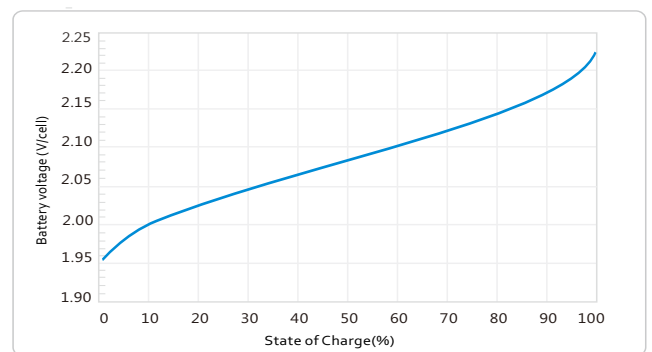
Note: D:Positive $19.5_{-0.3}^0$, D:Negative $17.9_{-0.3}^0$; Terminal Torque Values in-lb(Nm) : 176-203(20-23)

PERFORMANCE CHARACTERISTICS

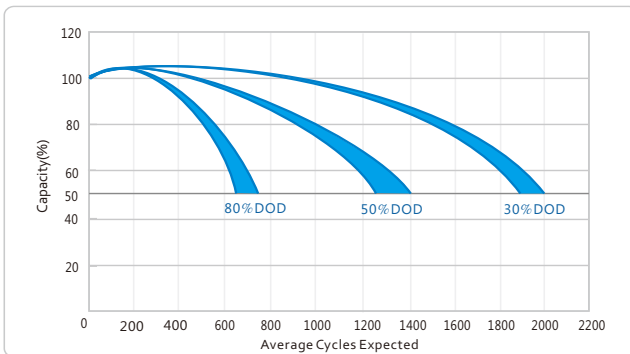
LEOCH LDC AGM Charging Profile



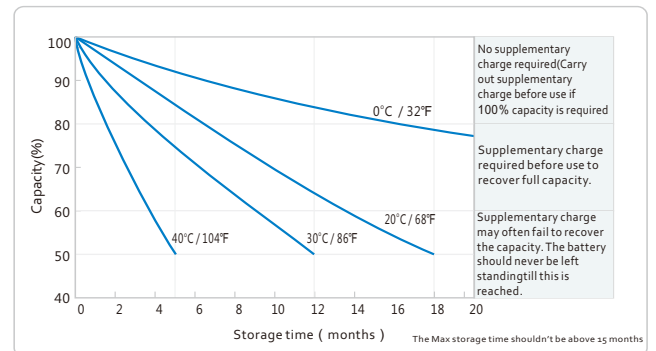
Relationship of OCV and State Of Charge (25°C , 77°F)



Cycle life in relation to Depth Of Discharge



Self-discharge Characteristic



● LEOCH BATTERY CORP. USA:
19751 Descartes, Foothill Ranch, CA 92610 USA
Tel: 949-588-5853 E-mail: sales@leoch.us

© 2018 LEOCH. All rights reserved. Trademarks and logos are the property of LEOCH and its affiliates unless otherwise noted. Subject to revisions without prior notice.

Publication No: LB-AGM-US-201803



DEEP CYCLE AGM BATTERY